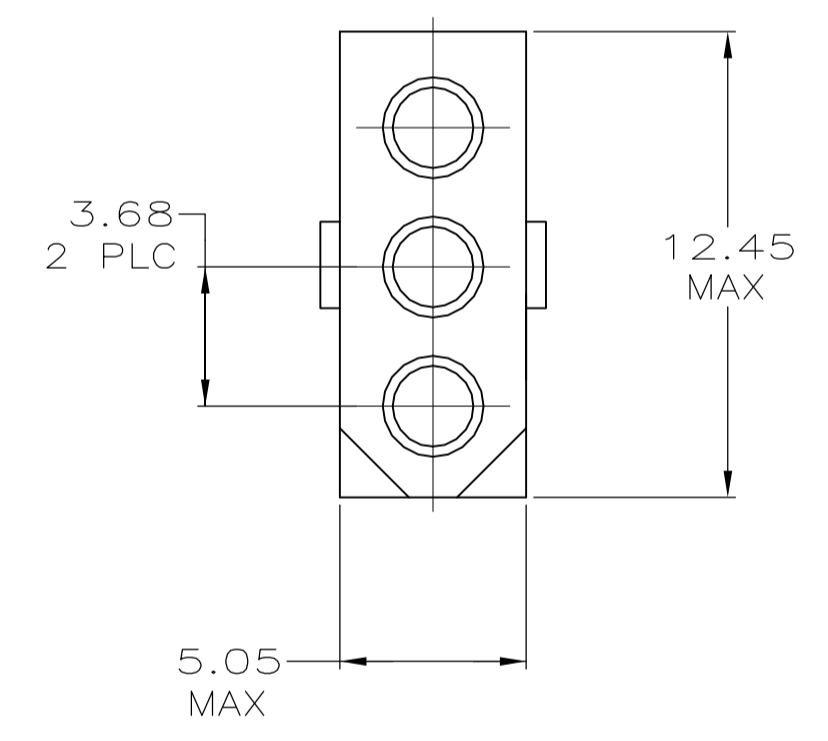
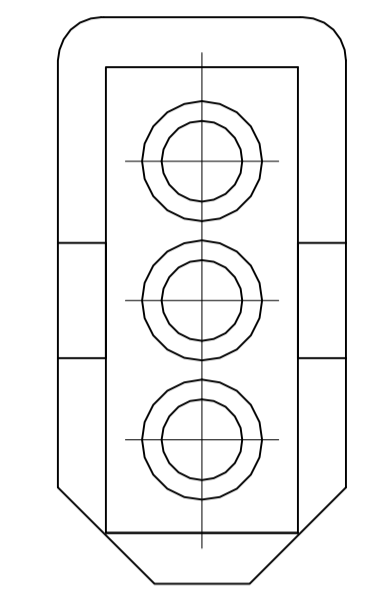
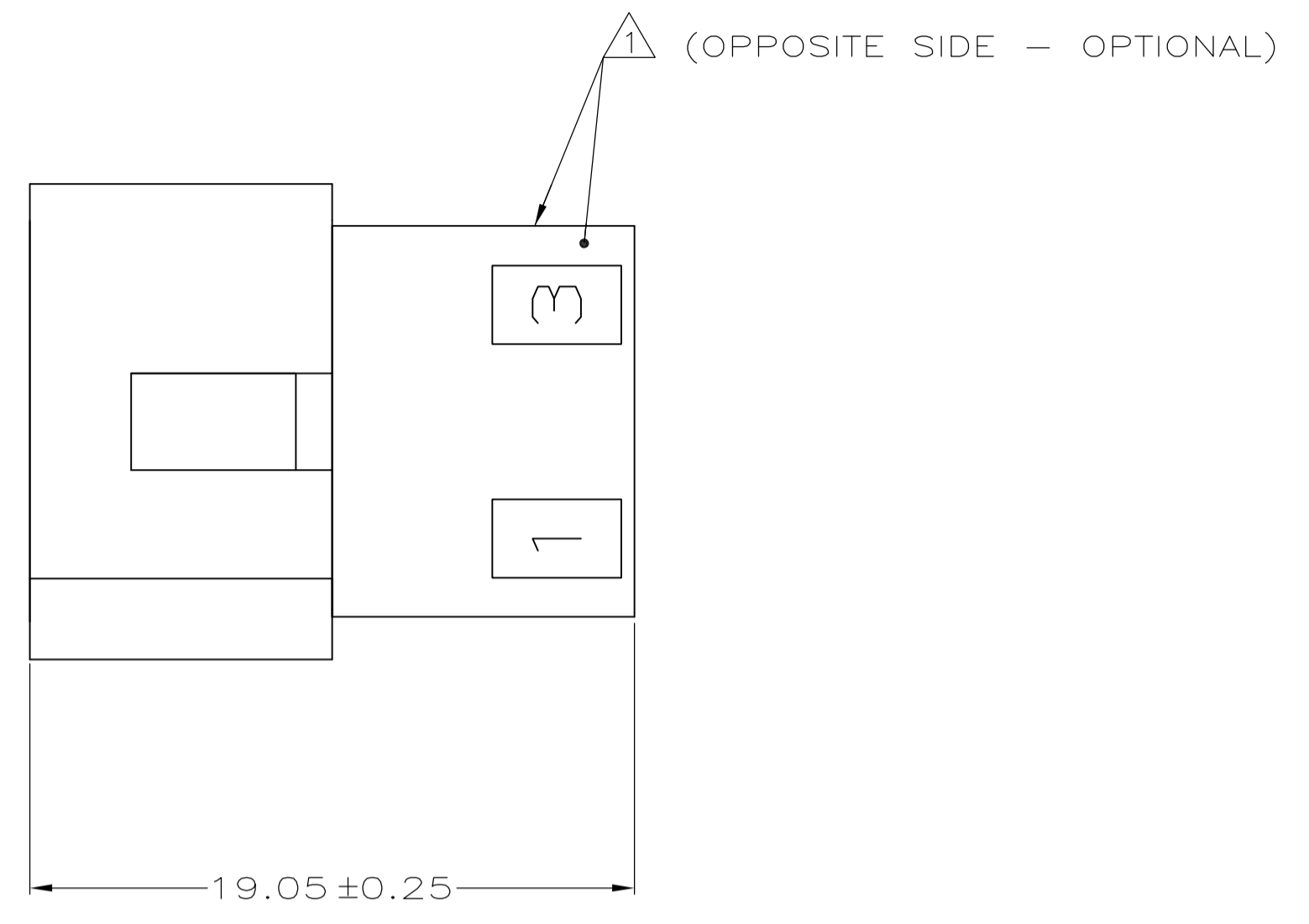
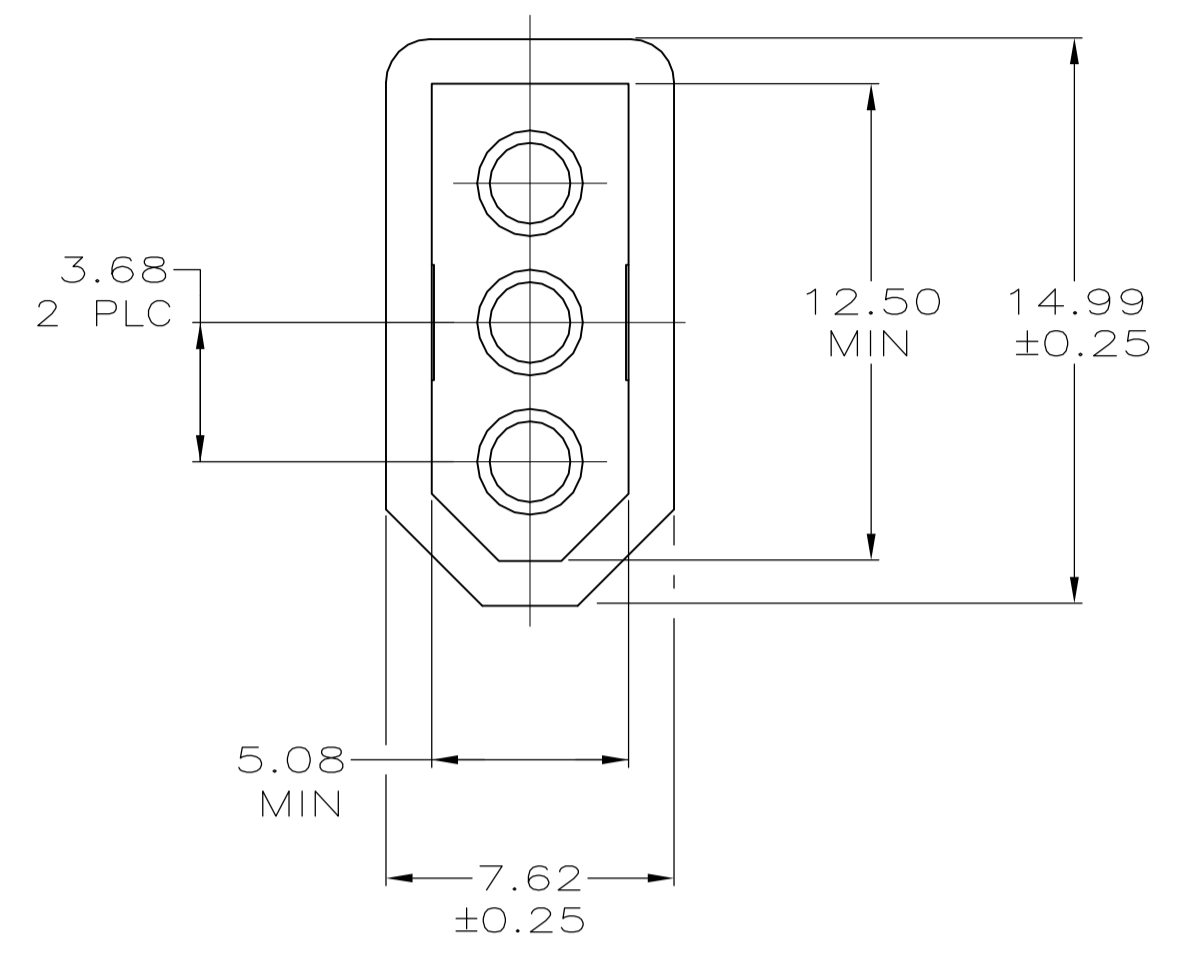
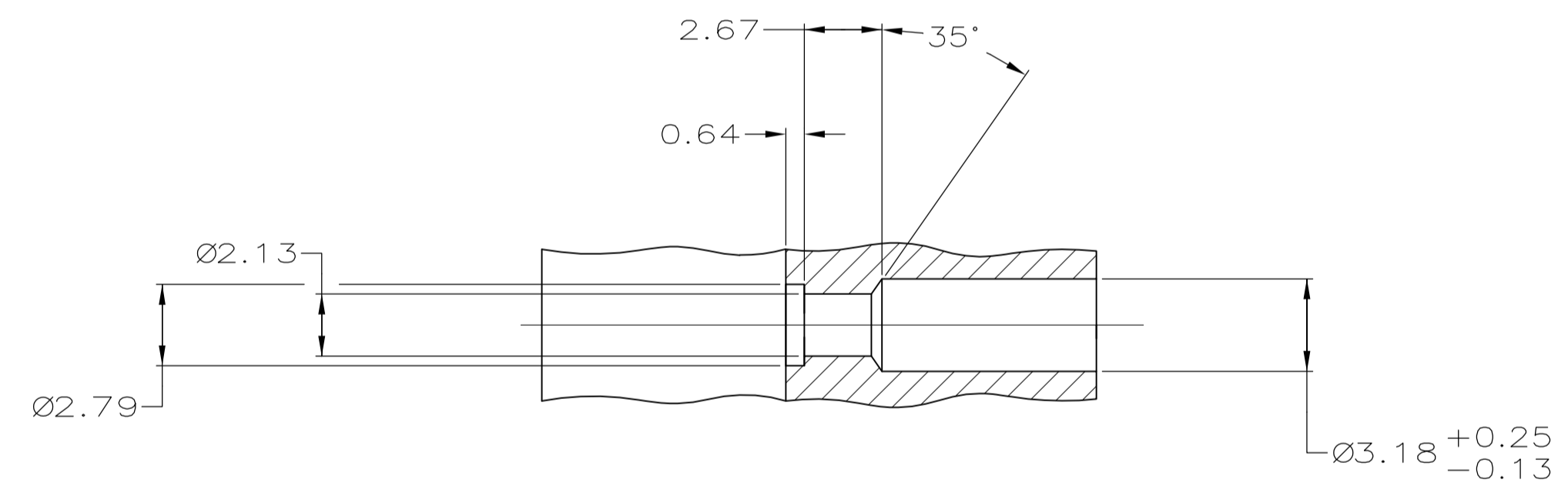


LOC		DIST		REVISIONS			
P	LTR	DESCRIPTION	DATE	DMN	APVD		
D		ECO-07-016093	13JUL07	KW	CC		

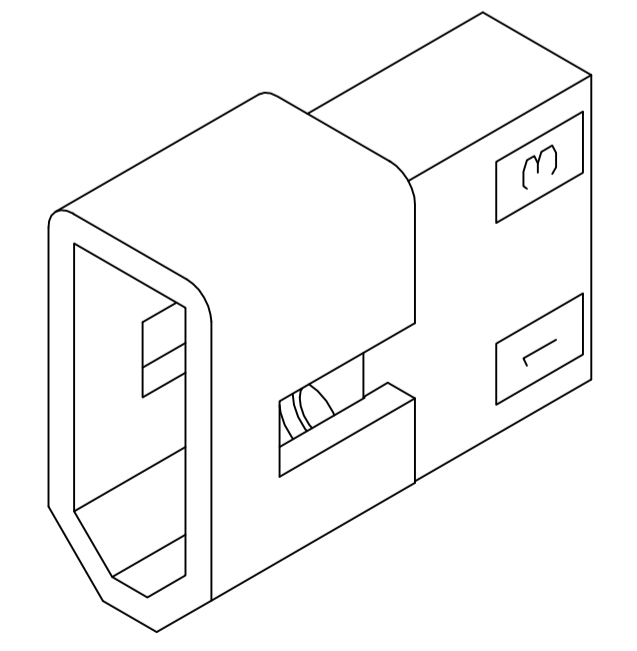
△ AMP LOGO AND CAVITY NUMBER LOCATED ON EITHER SURFACE.



MATING CONNECTOR INTERFACE



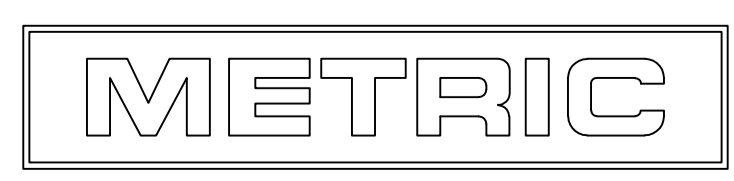
TYPICAL PLUG CAVITY SECTION (DIMENSIONS REFERENCE ONLY)



3-DIMENSIONAL MODEL NTS

MM	IN	MM	IN	MM	IN
2.67	.105	7.62	.300	-	-
2.13	.084	5.08	.200	-	-
1.57	.062	5.05	.199	19.05	.750
0.64	.025	3.68	.145	14.99	.590
0.25	.010	3.18	.125	12.50	.492
0.13	.005	2.79	.110	12.45	.490

CONVERSION TABLE



THIS DRAWING IS A CONTROLLED DOCUMENT.

DIMENSIONS:	TOLERANCES UNLESS OTHERWISE SPECIFIED:	DIN K. WHITAKER 11-4-93	Tyco Electronics Corporation Harrisburg, PA 17105-3608
mm	0. PLC ± - 1. PLC ± - 2. PLC ± 0.13 3. PLC ± - 4. PLC ± - ANGLES ± 1°	CHK R. SWING 11-4-93	APVD G. CASH 13JUL2007
		NAME	PLUG,3 CIRCUIT, .062 PIN AND SOCKET
MATERIAL NYLON,UL 94V-2	FINISH -	SIZE	A1
CUSTOMER DRAWING		SCALE	5:1
		SHEET	1 OF 1
		REV	D

GREEN	770331-2
NATURAL	770331-1
COLOR	PART NUMBER